



# In stock Sale

## Self-Cleaning Electric Portable Loader with all controls and stands

Model: CP3541: ELECTRIC RESIN PORTABLE LOADER

List Price \$5,250.00

Discounted Price \$ 4,200.00

The MAC Automatic Resin Bin Loading Station is design to work with MAC's mobile resin storage bins. It is a convenient method for automatically filling these bins from Gaylord or drum containers. **Load height is adjustable for use with RB75, RB150, RB350, RB800C & RB1200C.**

### Self-Contained Hopper Loader Features

Having first-rate, top-of-the-line equipment is essential to remaining a competitive business and anything less can drastically affect your bottom line. Our vacuum loaders contain a number of features that make them operator- and facility-friendly, and are manufactured with your needs in mind. From their sound-proof enclosure to automatic filter cleaning, our self-contained hopper loaders are designed to make your operations run more efficiently.

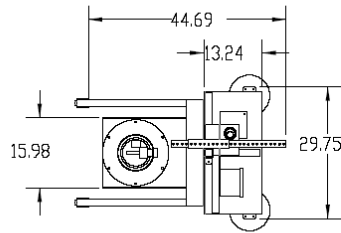
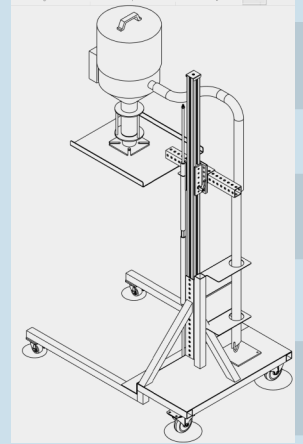


Resin Bin Sold Separately: [Resin Bin Store](#)

Call - (815) 337-3000

# MAC

**AUTOMATION CONCEPTS**



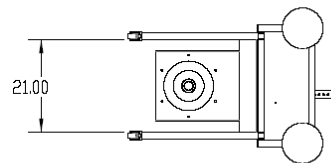
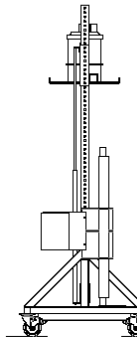
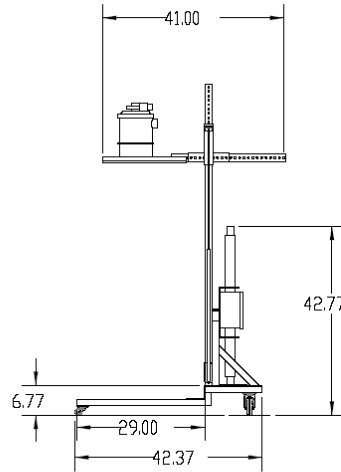
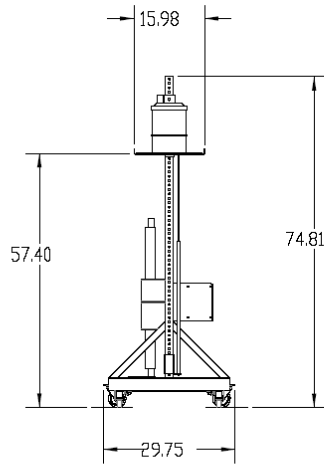
MAC AUTOMATION CONCEPTS, INC. \*DESIGN APPROVAL\*  
 MANUFACTURING WILL NOT PROCEED UNTIL  
 RECEIPT OF CUSTOMER SIGNED APPROVAL.

APPROVED AS IS\_\_\_ WITH CHANGES\_\_ REVISE & RESEND\_\_\_

DATE: \_\_\_\_\_ SIGNED: \_\_\_\_\_

INPUT VOLTAGE: 115 VAC 60  $\phi$  : AMPS: 5

NOTE: CUSTOMER MUST VERIFY ALL GIVEN DIMENSIONS  
 TO ENSURE PROPER SYSTEM LAYOUT. FAILURE TO  
 DO SO COULD RESULT IN DELAYS AS WELL AS ADDED  
 COSTS DUE TO REWORK.



QTY: \_\_\_\_\_

THE INFORMATION CONTAINED IN THIS DRAWING IS THE SOLE PROPERTY OF  
 MOLDING AUTOMATION CONCEPTS, INC. ANY REPRODUCTION IN PART OR AS  
 A WHOLE WITHOUT THE WRITTEN PERMISSION OF MOLDING AUTOMATION  
 CONCEPTS, INC IS PROHIBITED.

UNLESS OTHERWISE SPECIFIED TOLERANCES ARE:		APPROVALS	DATE	MOLDING AUTOMATION CONCEPTS
		DRAGON	2/26/2008	2760 KILKENNY COURT, WOODSTOCK, IL 60098 (815)937-2000
INCH DIMENSIONS XXXX ±.005 XXX ±.010 XX ±.020 X ±.050 ANGLES ±1°		MM DIMENSIONS XX ±.10 X ±.20 X ±1°	CHECKED	DESCRIPTION
		ENG APPR.		ASSY_CP2550, ELEC RESIN LOADER
MATERIAL		PART #: 79095001		
ASSY		DWG. NO. 79095001-A		
MATERIAL #		SIZE MODEL DRAWING: REV		
N/A		D CAD FILE: 79095001 A		
FINISH		SCALE: 1:1		
N/A		SHEET 1 OF 1		
BREAK ALL SHARP EDGES		DO NOT SCALE DRAWING DO NOT MANUALLY UPDATE CAD GENERATED DRAWING		